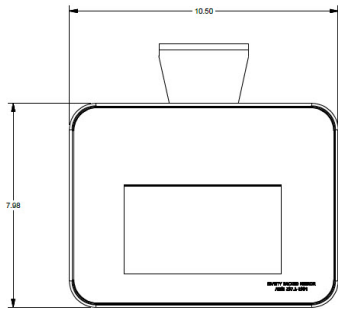


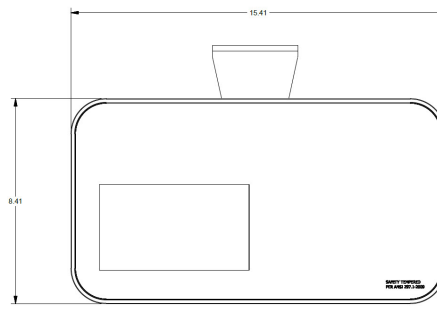
Dual View Assist™

Rear View Mirror with Embedded Backup Monitor

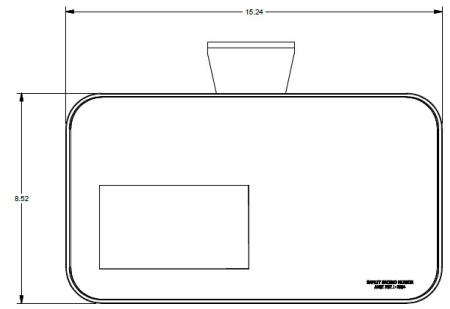
Maximize your field of view during reverse vehicle operations. Also compatible with onboard camera system to monitor passenger on boarding and off loading for increased safety.



10x7 Convex Mirror
Part number: **N38L07B3-B**



8x16 Flat Mirror
Part number: **N38E07M2-B**



8x16 Convex Mirror
Part number: **N38H07M2-B**

Automated Safety for Buses

The camera view is activated when the operator shifts into reverse.

Optimized for all Lighting Conditions

Able to process images in all lighting conditions including nighttime, low light scenarios.

Increased Visibility

Gain a wider field of view with convex mirror options.

Increased Passenger Safety

Compatible with onboard camera systems and can be used in conjunction with door cameras to monitor passenger onboarding and offloading.

Configurable for your Needs

View single or up to four images on a single screen.

1.574.266.3700
safefleet.net

SAFE  FLEET
Driving Safety Forward™

Dual View Assist™

Rear View Mirror with Embedded Backup Monitor

Monitor	
Mirror Size	8" x 15" / 1 x 10"
Screen Size Diagonal	7"
Resolution (Pixels)	800 x 480
Brightness	2000 cd/m2
Screen Ratio	16:9
Power Input	12 ~ 24 Vdc
Max. No Cameras	2
Schock Rating	100g
Vibration Rating	15g
Working Temp. °F (°C)	-5° to 80° (-20° to 27°)

Compatible with the following Safe Fleet backup cameras:

Rear Vision Camera	RVC400
Resolution	620 TV lines
Image Sensor	1/3" CCD w/IR LED
Minimum Illumination	x lux (IR on)
Lens	2.5mm (F2.0)
Environmental Rating	IP69K
View Angle	130°
Operating Temperature	-40° to 158°F (-40° to 70°C)

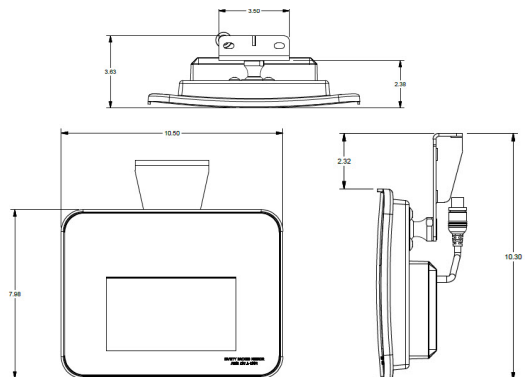


Rear Vision Camera	CA10
Resolution	700 TV lines
Camera Sensitivity	0.061 lux at F2.0 0 lux (IR on)
Lens	3.6 (F2.0), 6.0 (F2.0)
Environmental Rating	IP67
View Angle	3.6 (v) 56° (h) 77° / 6.0 (v) 30° (h) 40°
Operating Temperature	-40° to 140°F (-40° to 60°C)

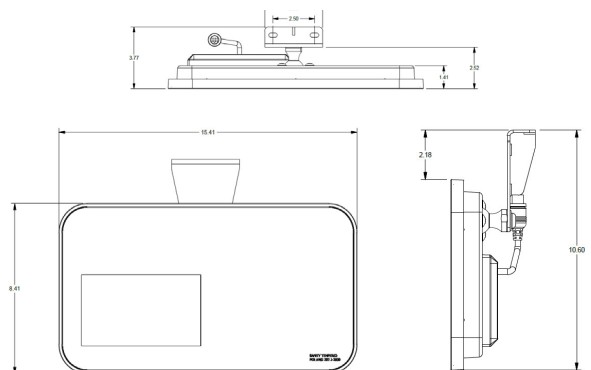


Part Number	Description
N38E07M2-B	8 x 16 Flat Mirror/Monitor, no camera M10 connector
N38E07M2-B-R01	8 x 16 Flat Mirror/Monitor kit, camera & harness
N38H07M2-B	8 x 16 Convex Mirror/Monitor, no camera M10 connector
N38H07M2-B-R01	8 x 16 Convex Mirror/Monitor kit, camera & harness
N38L07M2-B	7x10 Convex Mirror Monitor, no camera M10 connector
N38L07M2-B-R01	7x10 Convex Mirror Monitor, camera & harness

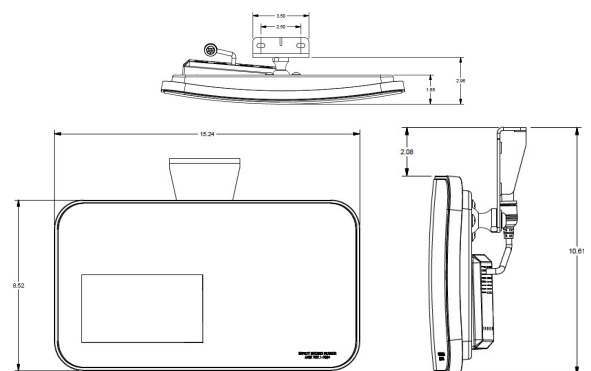
10x7 Convex Mirror Part number: N38L07B3-B



8x16 Flat Mirror Part number: N38E07M2-B



8x16 Convex Mirror-B Part number: N38H07M2-B



SF-7.2-9038

Copyright ©2020 Safe Fleet and its subsidiaries. All rights reserved. No part of this publication may be reproduced by any means without written permission from Safe Fleet. The information in this publication is believed to be accurate. However, Safe Fleet does not make any representation or warranty to that effect and does not assume responsibility for any consequences resulting from use of such information. Revisions or new editions of the publication may be issued (or not issued) in our discretion to incorporate such changes.

1.574.266.3700
safefleet.net

SAFE FLEET
Driving Safety Forward™