



THE COOLANT HEATER OF CHOICE FOR TRANSIT



Standard J1939 CAN Bus

ULTRA-POWERFUL COOLANT HEATER FOR DEMANDING TRANSIT ENVIRONMENTS

With up to 80,000 BTU of output, the Proheat M-Series is an ultra-powerful, cold weather auxiliary heating solution for buses and coaches. This diesel-powered heater preheats the engine to ensure quick and reliable starts while reducing engine wear. Proheat M-Series heaters are also powerful enough to supply

supplemental interior heat for passenger and driver comfort while the main engine is running. The heater is designed to be accessible and easily serviced by technicians to help minimize down time. CAN Bus connectivity means the heater can be seamlessly installed on vehicles that rely on the J1939 network standard. Trusted in the transit industry for years, Proheat M-Series heaters are installed on buses and coaches across North America.

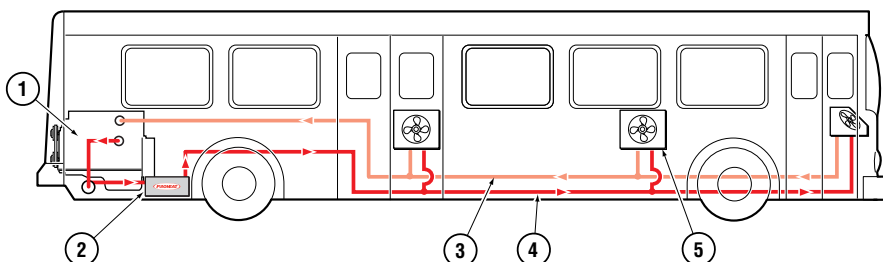
AT A GLANCE

M-SERIES HEATER FEATURES

- Diesel-powered coolant heater
- Produces 50,000 / 80,000 BTU/hr (15 / 24 kW/hr)
- Engine preheat reduces start-up wear and tear
- Generates supplemental heat for drivers and passengers
- Optional control of an external coolant pump
- Two year parts and labor warranty

NEW FEATURES

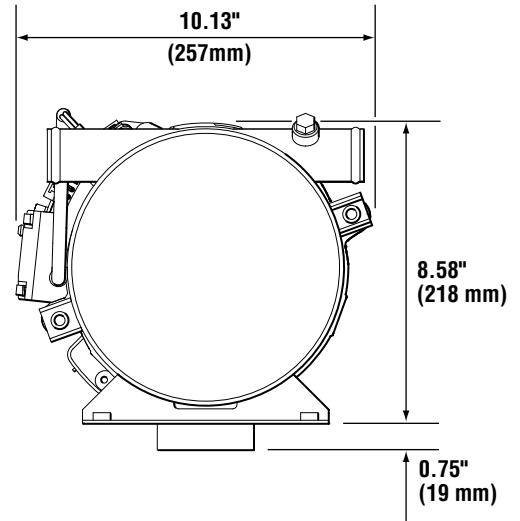
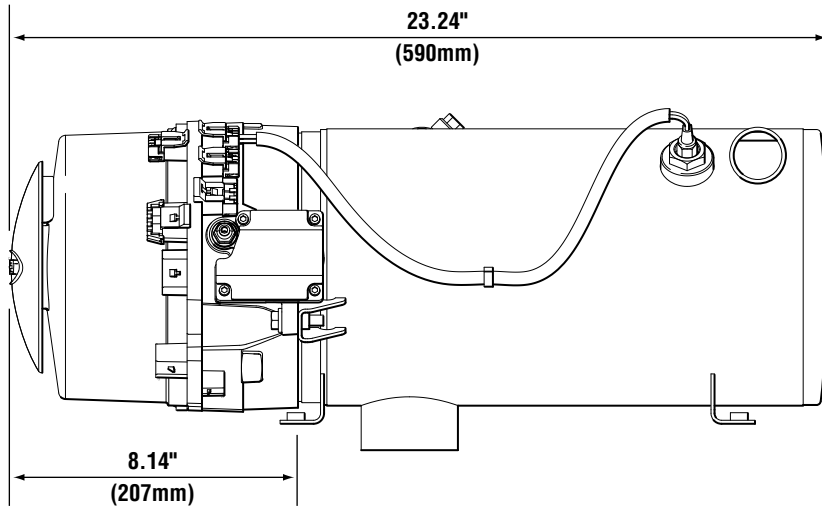
- Standard J1939 CAN Bus
- USB connectivity
- Integrated diagnostic indicator
- Diaphragm compressor
- Dual mode temperature sensor



- 1 Engine
- 2 Proheat M-Series
- 3 Return to Engine
- 4 Supply from Proheat
- 5 Fan



SPECIFICATIONS



MODEL	M50 (12V)	M50 (24V)	M80 (12V)	M80 (24V)
HEAT OUTPUT BTU/hr (kW/hr)	50,000 (15)	50,000 (15)	80,000 (24)	80,000 (24)
SYSTEM VOLTAGE Nominal (Range)	12V (10-15V)	24V (20-30V)	12V (10-15V)	24V (20-30V)
CURRENT DRAW - Amps	9.5	5.2	8.5	5.2
FUEL CONSUMPTION	0.48 gal/hr. (1.8 L/hr.)		0.78 gal/hr. (2.9 L/hr.)	
IGNITION TYPE	Electronic Spark Ignition			
FUEL TYPES	ULSD, Diesel #1, Diesel #2, JP8, Jet A1, Arctic, Biodiesel B1-B20*			
COOLANT OUTPUT TEMPERATURE	+150°F to +185°F (+65°C to +85°C) <i>Optional set points available</i>			
AMBIENT TEMPERATURE	Operating -40°F to +122°F (-40°C to +50°C)		Non Operating -58°F to +185°F (-50°C to +85°C)	
WEIGHT	53 lbs (23 Kg)			
HEAT EXCHANGER CAPACITY	0.5 gal (2 L)			
COOLANT SYSTEM Minimum capacity	2.64 gal (10 L)	2.64 gal (10 L)	2.64 gal (10 L)	2.64 gal (10 L)
COOLANT SYSTEM Recommended minimum flow rate through heater	5 gal (19 L)	5 gal (19 L)	7 gal (26.5 L)	7 gal (26.5 L)

M-Series heater with install kit.



A removable burner head provides easy access for technicians.



Please Note:
 Specifications are subject to change without notice.
 * Limited service life above B5, increased inspection frequency required.

Teleflex and Proheat are registered trademarks of Teleflex Inc. and its subsidiary companies.