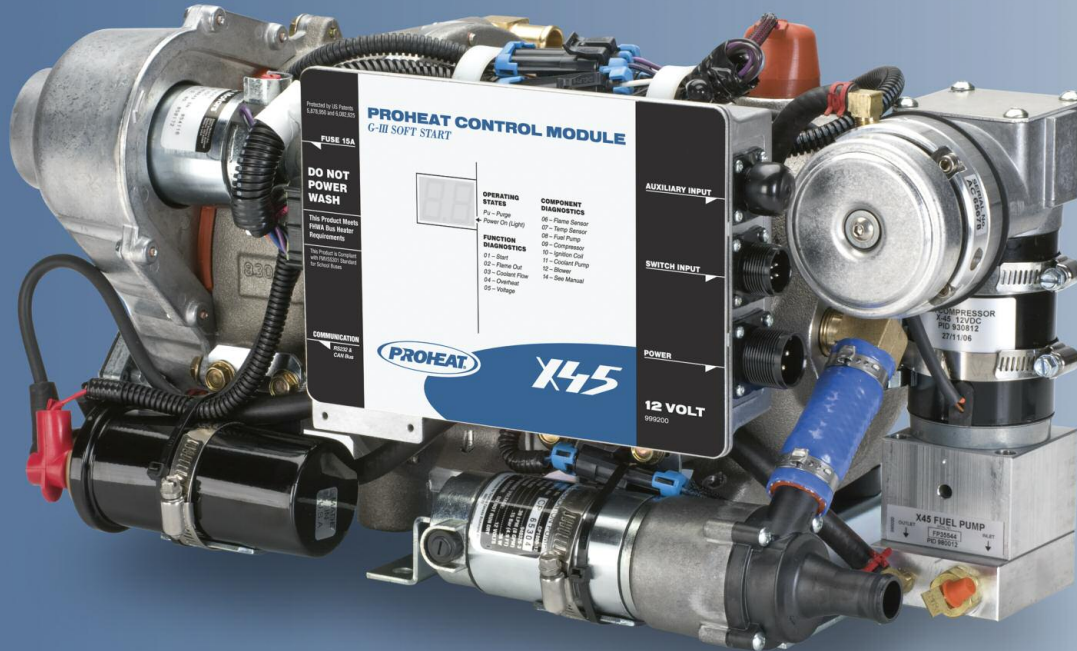




X45

THE COOLANT HEATER OF CHOICE FOR COACHES



POWERFUL AND RUGGED AUXILIARY COOLANT HEATER FOR COACHES

Proheat X45 is a powerful, diesel-powered pre-heating solution for quick and reliable cold weather starting of coaches. This versatile heater becomes part of the coach heating system, supplying added heat for the driver and passengers while reducing fuel costs and emissions from unnecessary idling. Proheat X45 also makes starting easier while reducing start-up engine wear and cold weather troubles.

An integrated pump circulates heated coolant to warm the engine block. Proheat X45 features an onboard control panel that displays heater status, while an optional digital timer can mount next to the driver seat to provide convenient timer-based starting of the heater. With more than 15 years in the field, its rugged and field serviceable design has proven reliable in even the most extreme temperatures.

AT A GLANCE

COOLANT HEATER FEATURES

- 13 kW (45,000 BTU)
- Electronic control panel displays heater status
- Integrated coolant pump
- Mountable in engine bay
- Meets FHWA bus heater requirements
- Two year parts and labor warranty

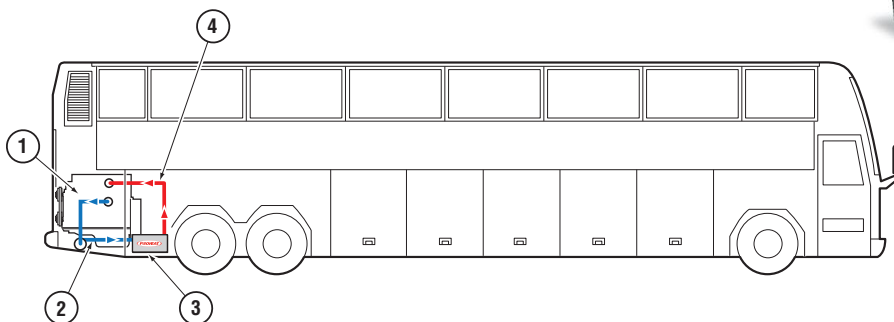
TIMER FEATURES

- Timed or manual start of X45 heater from inside the vehicle
- Easy-to-read digital display
- Programmable, multi-event 7-day timer
- Surface-mount design



Optional Timer

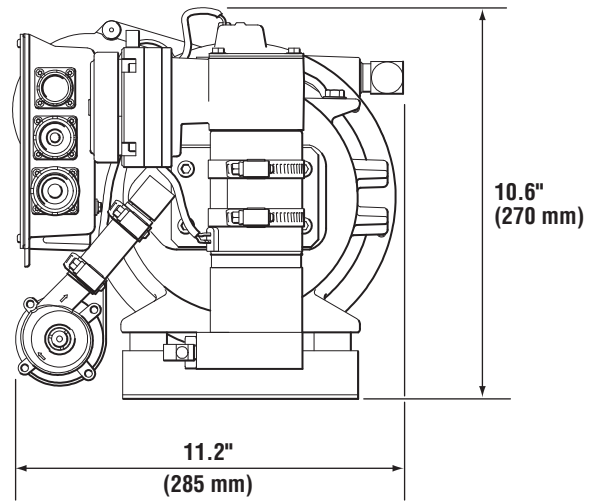
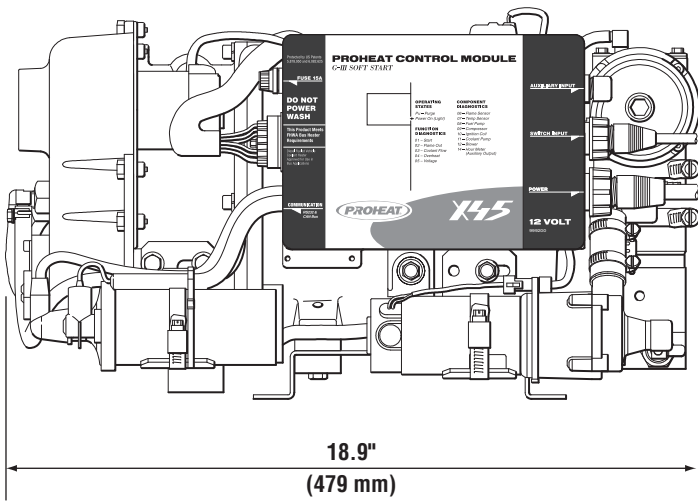
- 1 Engine
- 2 Return from Engine
- 3 Proheat X45
- 4 Supply from Proheat





X45

SPECIFICATIONS



MODEL	X45-12	X45-24
RATING	13 kW (45,000 BTU)	
OPERATING VOLTAGE RANGE	10.0 – 15 VDC	20 –30 VDC
CURRENT (Nom.)	8.2 A	4.1 A
FUEL CONSUMPTION (Average to Maximum)	0.1 – 0.45 gal/hr. (0.4 – 1.7 L/hr.)	
COOLANT FLOW	8.0 gal/min. (30 L/min.)	
COOLANT TEMPERATURE (at heater)	150 to 185 °F (65 to 85 °C)	
OPERATING TEMPERATURE RANGE	- 40 to 122 °F (- 40 to 50 °C)	
FUEL TYPES	ULSD, Diesel #1, Diesel #2, Kerosene Artic, B20	
IGNITION TYPE	Electronic spark ignition	
HEAT EXCHANGER CAPACITY	1 quart (.98 litre)	
WEIGHT heater only with enclosure	40 lb (18 kg) 55 lb (25 kg)	
DIMENSIONS – HEATER (L x W x H)	18.9 x 11.2 x 10.6 inches (479 x 285 x 270 mm)	
DIMENSIONS – ENCLOSURE (L x W x H)	20.2 x 12.3 x 10.5 inches (513 x 313 x 267 mm)	
WARRANTY	Two years parts and labor	
REGULATORY COMPLIANCE	Meets FHWA bus heater requirements	

PROHEAT X45 COACH KITS

BASIC HEATER WITHOUT ALUMINUM ENCLOSURE BOX	PART NUMBER	
BASIC HEATER Electronic controller, coolant pump, mounting base	12V: PH0415	24V: PH0410

STANDARD HEATER KIT	PART NUMBER	
FULL KIT Includes: Items 1, 2 and 3.	12V: PH0407	24V: PH0414
1. BASIC HEATER ONLY Electronic controller, coolant pump, mounting base	12V: PH0415	24V: PH0410
2. INSTALLATION KIT ONLY Power wire harness, fuel pick-up and hose, control wire harness, exhaust system, nuts, bolts and washers for mounting	12V: PK0300	24V: PK0301
3. ALUMINUM ENCLOSURE BOX ONLY (smooth finish)	PK0202	

OPTIONAL COMPONENTS	PART NUMBER
AIR INLET HOSE Improves clean air intake quality	PK0320
7 DAY DIGITAL TIMER	PK0001

Please Note: Specifications are subject to change without notice.

Proheat is registered trademark of Marine Canada Acquisition Inc. and its subsidiary companies.



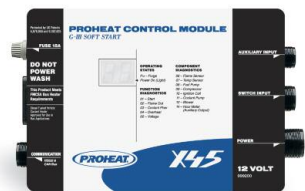
Designed and Manufactured in North America



Air Inlet Hose



Enclosure (smooth finish)



Electronic Controller

